

8 7 6 5 4 3 2 1

F

F

E

E

D

D

C

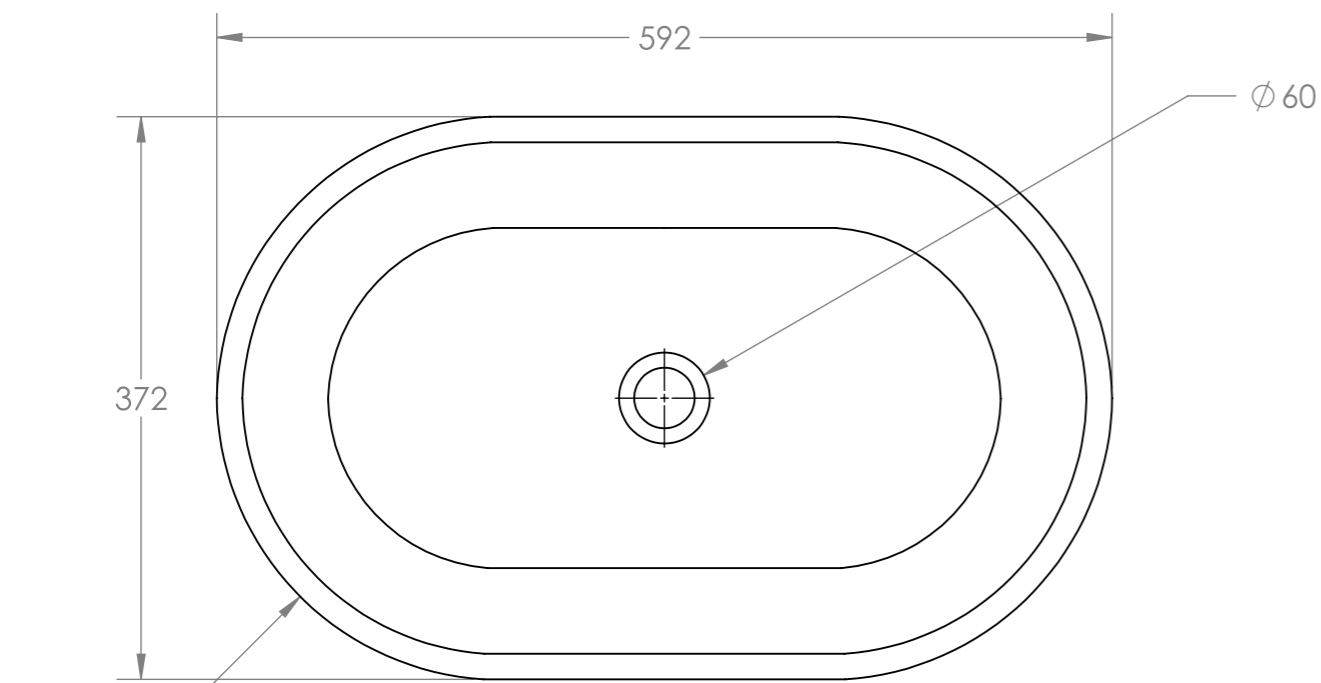
C

B

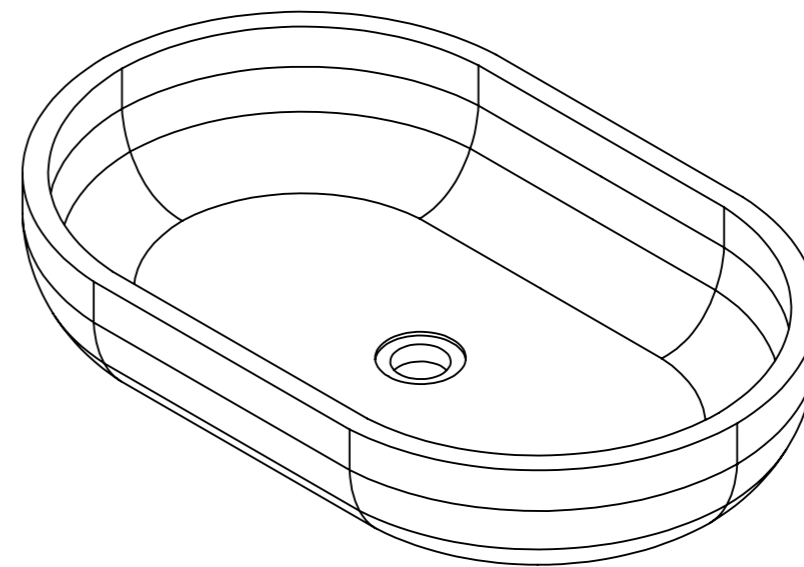
B

A

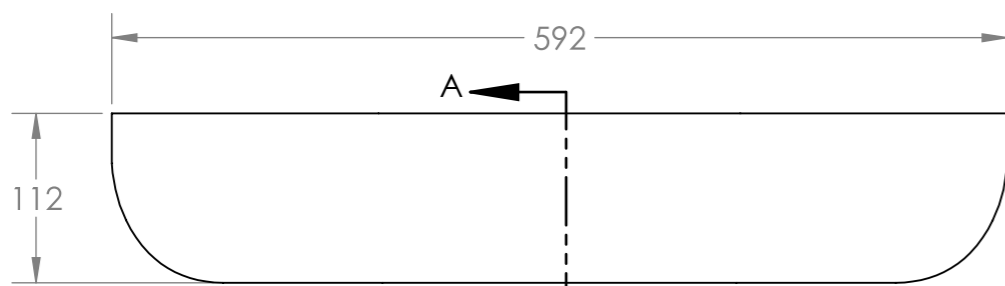
A



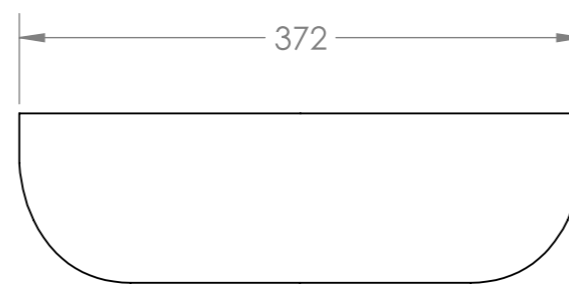
TOP ELEVATION



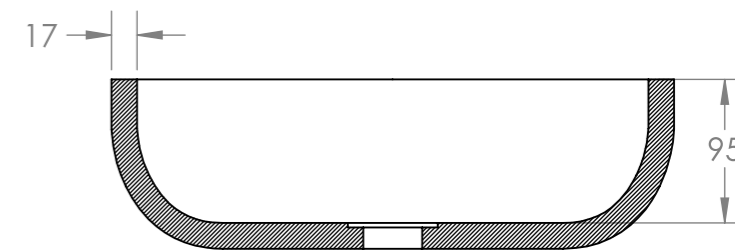
ISOMETRIC VIEW



FRONT ELEVATION



SIDE ELEVATION



SECTION A-A

UNLESS OTHERWISE SPECIFIED: DIMENSIONS ARE IN MILLIMETERS SURFACE FINISH: TOLERANCES: LINEAR: ANGULAR:			FINISH:		DEBURR AND BREAK SHARP EDGES		DO NOT SCALE DRAWING		REVISION		
							TITLE:				
							DWG NO.				
							SCALE:1:5				
							SHEET 1 OF 1				
DRAWN			NAME		SIGNATURE		DATE		MATERIAL:		
CHK'D									WEIGHT:		
APPV'D									ARK BASIN		
MFG									A3		
Q.A									SHEET 1 OF 1		

THE  
**Poured**  
PROJECT

8 7 6 5 4 3 2 1